



RECOMMENDED IMPROVEMENTS

220015

Date

KEEP YOUR FLEET RUNNING AND ENHANCE YOUR GENIE® EXPERIENCE

DRAFT



Genie®

QUALITY BY DESIGN



Date:

Models and Serial Numbers Affected: S-60J (Kubota D1105 Engine); S60JH-101 to 354

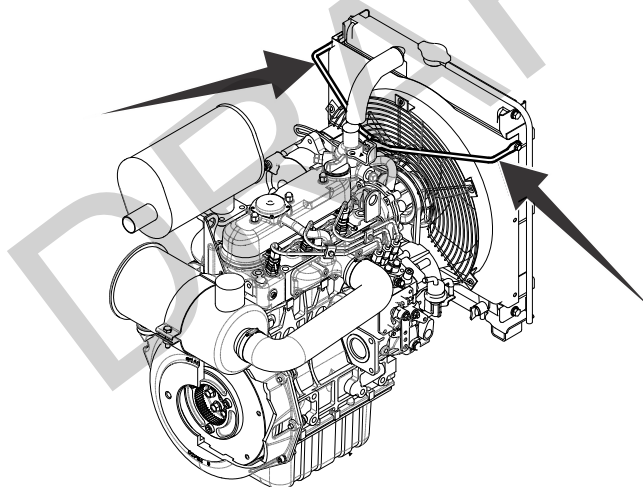
Subject: Radiator Brackets

Allowable Hours: 0.5 hours

*The content of this Service Advisory is intended for Owners/Dealers/Distributors of Genie products.
For media-related uses, please contact AWP.mediainquiries@terex.com for permission to publish. Thank you!*

Issue:

Genie has become aware that the machines referenced above were manufactured without the radiator bracket shown below. **The absence of the radiator bracket may lead to damage to the radiator and surrounding components that may cause the machine to be taken out of service.**



Action(s) Recommended:

The safe use of the machine is not affected but Genie recommends installing the radiator brackets to the affected machines. Order kit part number 1314908GT.

For technical information, contact us at:

AWP.ProductSupport@terex.com

Enclosures:

- Customer Machine List
- New Owner Update Form